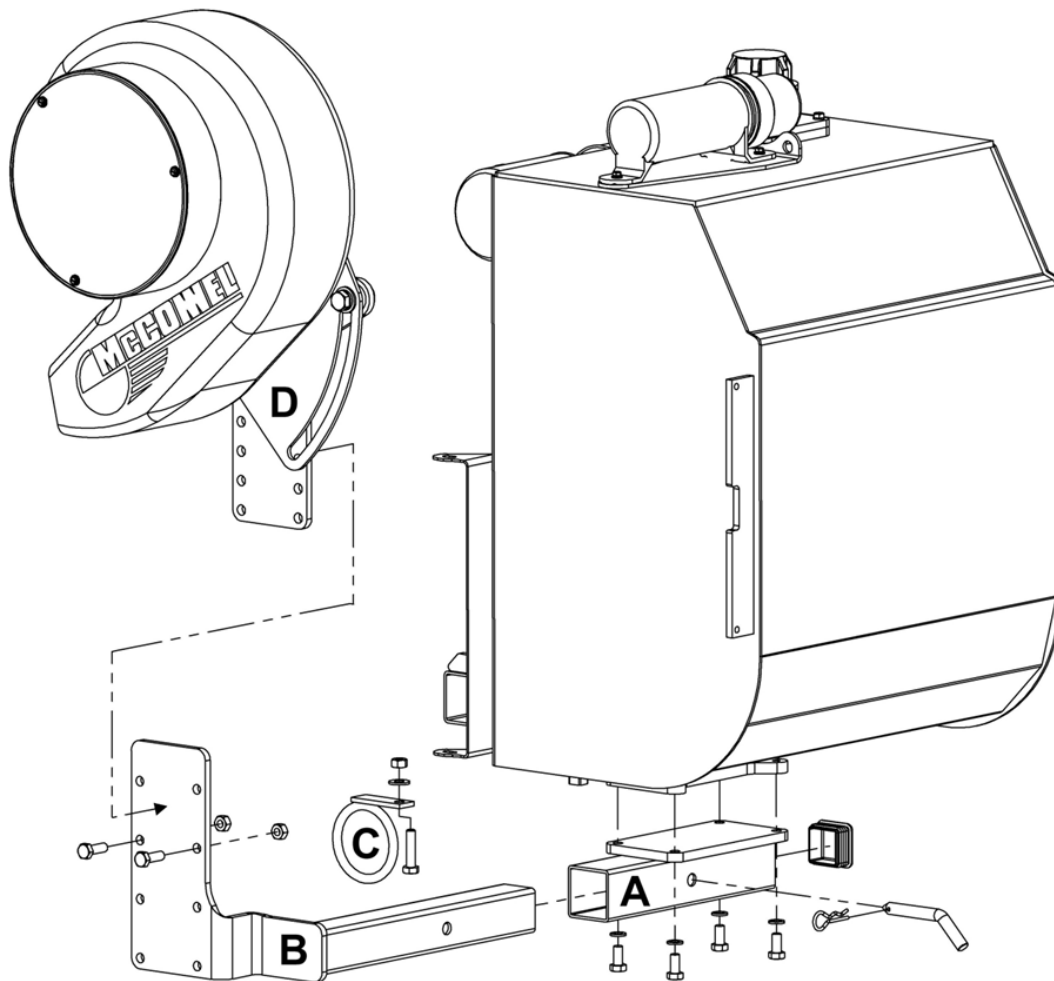


Mk2 DEBRIS BLOWER MOUNTING

Debris Blowers are attached to the hedgecutter using a mounting kit specifically designed for the particular machine, a 'T' shaped plate which carries the blower unit is bolted to the carrier bracket; both are equipped with a series of holes which allows vertical and side to side adjustment.

The blower carrier bracket, which is bolted to the 'T' plate, is furnished with a radial slot to allow the angle of the blower to be adjusted.

Debris Blower & Mounting Kit Components (Example)



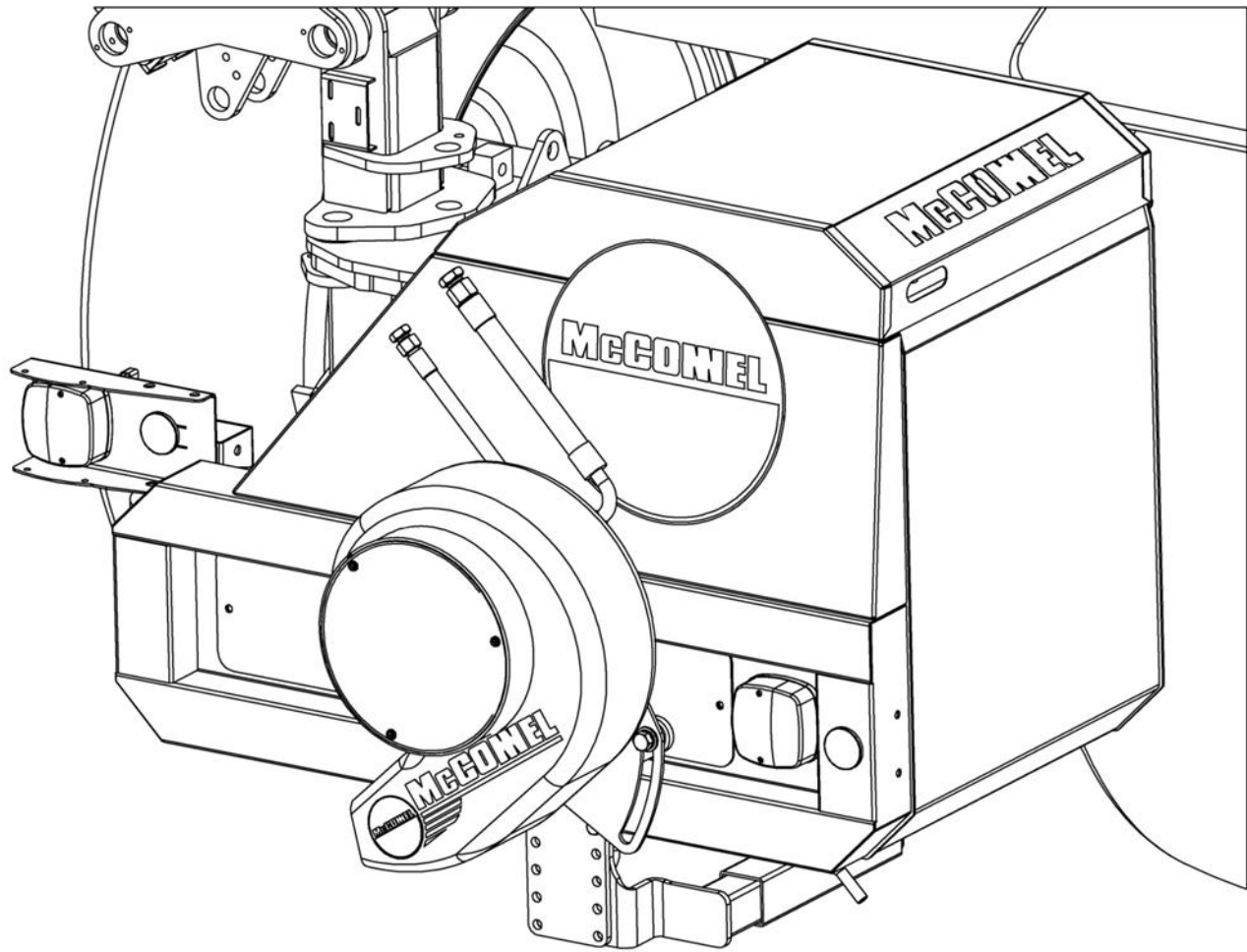
A) Mounting Bracket

B) Carrier Bracket

C) Hose Ring

D) Debris Blower





Note; when fitting is complete there should be 36mm (1½") of clearance between the rear of the tank and the blower motor.

It is the aim to mount the blower as far as possible towards the outside edge of the tank to give maximum coverage of the road. The height to the centre of the blower from the ground should be approximately 650mm (26") whilst the angle is decided by operation experimentation.

These settings are recommendations for general flail operations; it is permissible to vary the mounting positions should special individual conditions dictate.

Hydraulic connections

The supply hose is connected to the tractor spool valve and the return hose must be connected to a free flow return on the tractor. Under no circumstances connect the return hose to the tractor spool valve, serious damage could result.

To stop the debris blower slow the tractor engine to idle and move the spool valve lever to the float position allowing the fan to run down slowly without causing cavitation.

