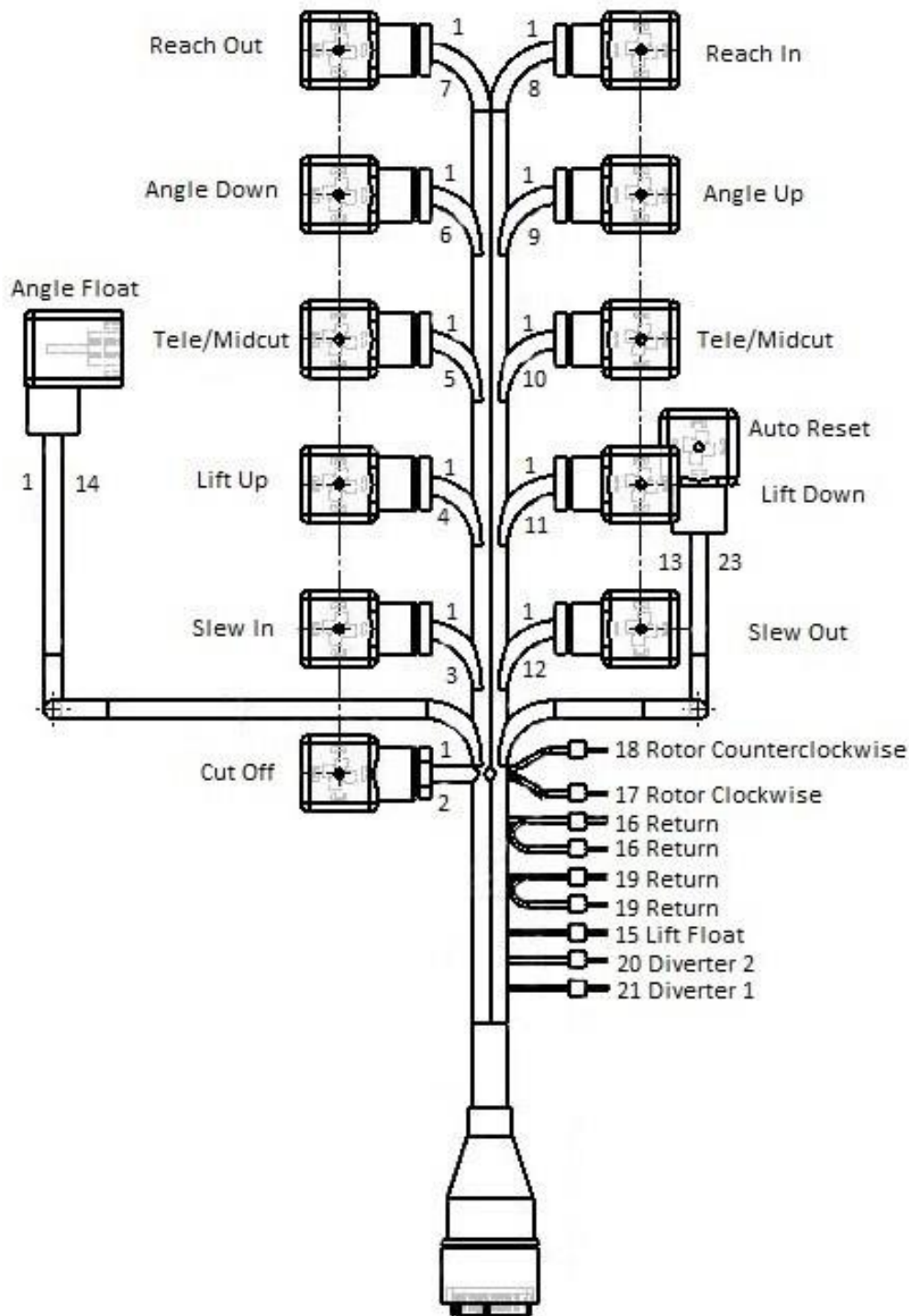


5 SERVICE XTC LOOM 41844.15

used on:

PA50, 53, 55, 60, 600, 70T, 93SS, 5055, 5155, 5360, 5860,
5570, 6070, 6570, 7070, 6585, 7085, 8085, 5600, 6400, 7700,
AG46, AG50



VAT Registration Number: GB 133 8747 53
Company Registration Number: 305192 ENGLAND, Registered Office: Station Road, Salford Priors, Nr Evesham, Worcs. WR11 8SW

McConnell Limited, Temeside Works, Ludlow, Shropshire, SY8 1JL, UK

»» Tel: +44 (0)1584 873131 »» Fax: +44 (0)1584 876463

»» Email: sales@mcconnel.com »» Web: www.mcconnel.com

