

Roller Mower

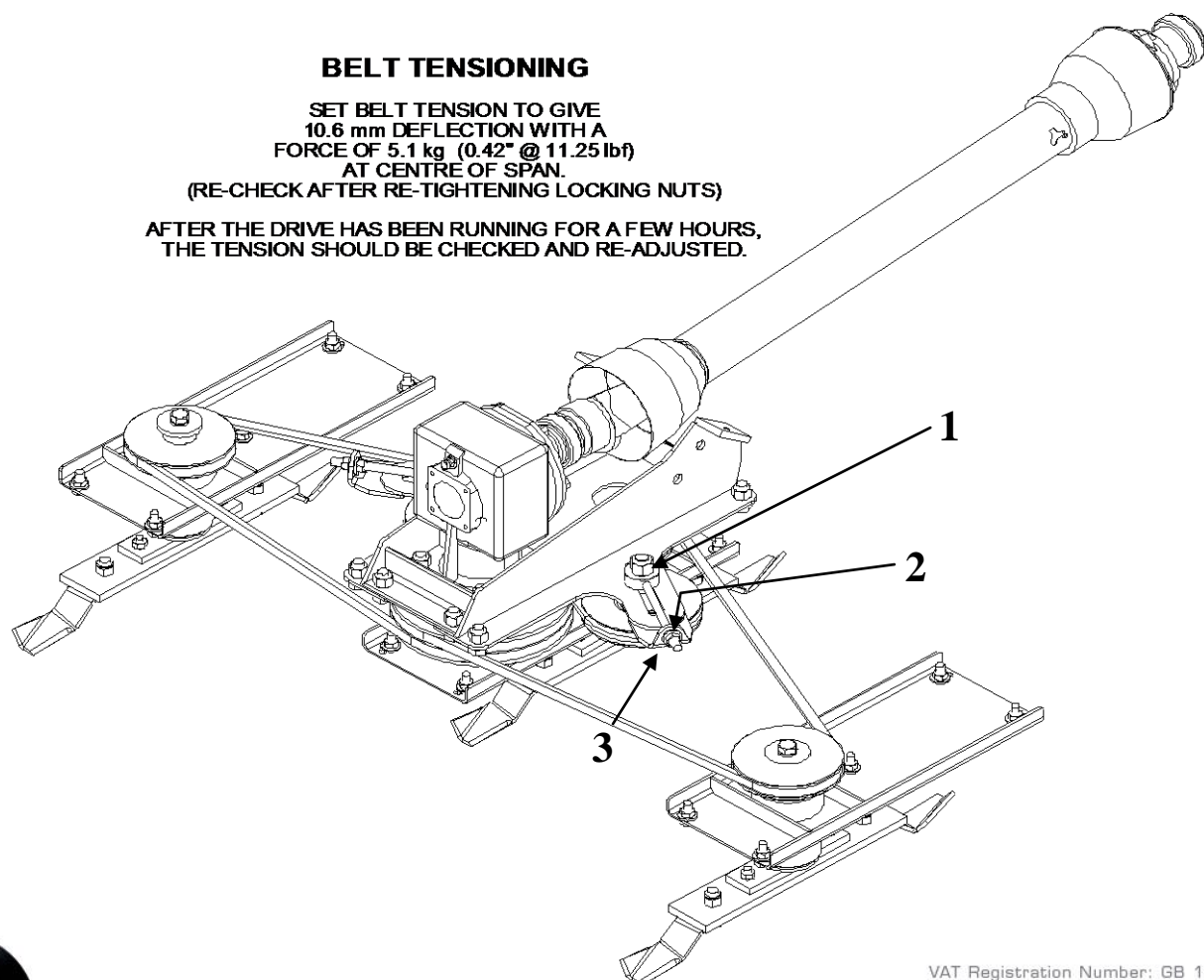
Belt Adjustment

The two belts are adjusted independently as follows:

- Slacken locknut **1** only sufficient enough to allow the pulley to move in the slot.
- Back off locknut **2**.
- Tension belt by adjustment of nut **3** to correct deflection – *see note below*.
- Re-tighten all locking nuts, and re-check belt tension.

NOTE:

It is important to pull the belt 'around' by hand as it is being tensioned to allow the belt to 'creep' on the drive pulley – tightening the belt without pulling it round will over tension the belt between drive and centre pulley causing premature failure of the belt.



BELT TENSIONING

SET BELT TENSION TO GIVE
10.6 mm DEFLECTION WITH A
FORCE OF 5.1 kg (0.42" @ 11.25 lbf)
AT CENTRE OF SPAN.

(RE-CHECK AFTER RE-TIGHTENING LOCKING NUTS)

AFTER THE DRIVE HAS BEEN RUNNING FOR A FEW HOURS,
THE TENSION SHOULD BE CHECKED AND RE-ADJUSTED.

